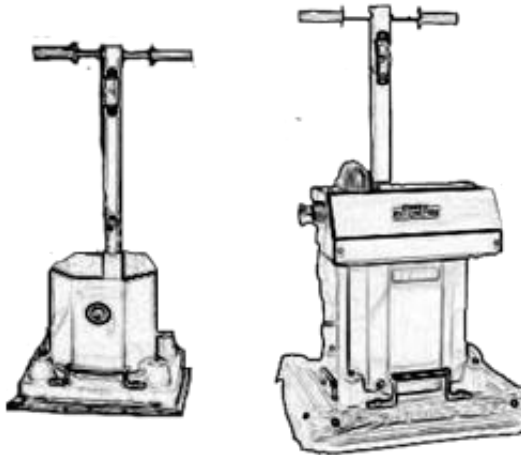


Essex Silver-Line SL1218 & SL1218OVS Parts Diagram



Read This Book

This book has important information for the use and safe operation of this equipment. Failure to read this book prior to operating or attempting any service or maintenance procedure for your Silver-Line machine could result in injury to you or to other personnel: damage to the machine or to other property could occur as well. You must have training in the operation of this machine before using it. If you or your operator(s) cannot read English, have this manual explained fully before attempting to operate this machine.

All directions given in this book are seen from operator's position at the rear of the machine.

Essex Silver-Line Corporation, 1118 Lakeview Ave. PO Box 40, Dracut, MA 01826

www.essex-silver-line.com

(December 2011)

Refinishing The Silver-Line Way

(Visit our website www.essex-silver-line.com under consumer tips for complete information)

Job Preparation:

Remove the furniture, wall hangings, etc. Clear the room out!
Remove the old carpet, carpet pad and carpet strip (where necessary)
Locate & Reserve *only* Silver-Line Sanders & Edgers from your local rental store
Watch the Silver-Line "How to" Video

Inspect the floor for and remove...

- Staples from the carpet pad
- Nails from the tackstrip
- Nails protruding from the floor (countersink these nails)

***Make sure you are very diligent when completing this task, protect the rental machine!
You may be liable for damage to the drum and disc pad on the rental equipment!***

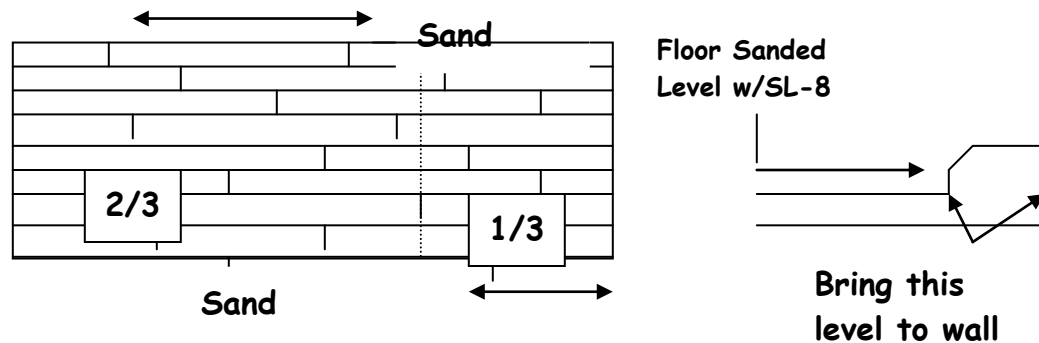
Protect the rest of your house from sawdust, sweep the floor and vacuum, and pick up the equipment!

Sanding the Floor:

What are you trying to accomplish during this project? First, you want to level the floor, and remove the old finish. The remaining cuts or passes are to remove the scratch marks made by the previous cuts. Do not skip too many grits when sanding the floor, as the finer grits may not be able to remove the heavier scratches.

Start the process with the highest grit possible to complete the first cut, leveling and removing the finish. If a 36 or 40 grit will accomplish the task, then do not use 20 grit or heavier. If it seems to be taking too long, drop down and use the heavier grit. By doing this you will probably save time.

Break the room down into two sections, 1/3 to 2/3 and sand the larger area first. Complete the 2/3 section and turn around to sand the remaining 1/3. *Do this with all the grits.* Offset where you stop and start the sanding so you do not end up with a line across your floor at the end of the project.



Use the SL-8 sander for the main section of the floor and then follow with the SL-7 edger. This method will allow you to set the level you want in the main section of the floor and then bring it out to the edge of the room with the SL-7.

To use the Silver-Line SL-8 correctly, you sand forward and backward on the same line with the SL-8 sander. Be sure to lift up on the handle with enough force to keep the drum pressure constant on the floor. Feather the sander so the drum comes off the floor while moving forward or backward when you reach an area that you need to stop.

The following grits are recommended for a professional looking sanding job. Again, you want to start with the least aggressive grit to complete the leveling and finish removal and proceed up through the grits.

20, 36 or 40, 60 and finally 100

Note: If you trip a breaker or blow fuse, turn off the equipment off, then reset the breaker or replace the fuse.

Note: Remove all sawdust from the house as you empty the dust bags. Empty your sander bags when they are $\frac{1}{2}$ full, this will help with the dust pick up. Sawdust can be flammable and you do not want it in your house.

Note: When using the **SL-7** edger, sand from right to left and let the edger do the work. A properly aligned edger, with a disc pad in good condition will function well without the user exerting additional pressure. Let the edger do the work; don't put extra pressure on the machine. Work at a pace you are comfortable with, and take frequent rests.

If the cutting action of your sander seems to slow or diminish, it is probably time to change the sandpaper. In an effort to save money, don't try to extend the life of the paper, replace it as needed. If you skimp on the amount of paper you use on this project it will affect the end result. Don't look at the cost at the time of sanding, but rather over the life of the floor. Replace abrasives to get the same type of cut across the floor.

After you sand the floor with the **SL-8**, **SL8V2** & **SL-7** it is time to scrape corners, door jambs, etc. Use our 12 wood handle scraper with a 1" Red Devil blade, available from the rental store, to accomplish this task. Hand sand the areas you scraped.

If you have areas such as baseboard heat, radiators or toekicks that could not be reached by the **SL-7**, use the Silver-Line **U2** underradiator sander to clean up these areas. It uses 5" abrasive (either PSA or Hook & Loop) discs and is also available at the rental store.

When your done sanding your floor return your sanders to the rental store. Remember to return the cords, wrenches, bags and unused supplies.

Note: After sanding you should screen the floor before you apply any finish or stain to achieve the best possible finish. A professional floor sander will screen his work; spend the time and money to screen your floor.

Proper Application & Use of *Silver-Line Abrasives*

12, 16, 20* grit Sheets & Discs

For removing old surface coatings and leveling uneven floors

36, 40* grit Sheets & Discs

For intermediate sanding of floors following rough sanding.

For initial sanding of moderately worn floors

60*, 80, 100* grit Sheets & Discs

For finish sanding of all floors prior to applying new coatings

For removing light scratches, sanding marks and minor surface damage

60, 80, 100, 120, 150 & 180 grit Sandscreens

For removing fine scratch marks prior to applying new coatings

For light sanding between surface coatings

*Indicates most popular rental grits for sanding floors. 60 & 100 grit should be used in succession for proper finish. Never skip more than two grits when sanding a floor.

Example: Do not jump from 36 grit to 80 or 100 grit

Always start your sanding project with the highest possible grit that will cut and level your floor. If the grit will not cut the finish or level the floor, go down one grit size to complete the cut!

White* Thick Nylon Pads

Buffing, for polishing floors where highest luster is desired

Green Thick Nylon Pads

Scrubbing, for general duty scrubbing and spot removal on floors

Black Thick Nylon Pads

Stripping, for heavy duty wet stripping of floors

** White pads should be used under the padlocks when using sand screens on rotary and orbital polishers. They are used for driving sandpaper on Orbital Polishers.*

Notes:

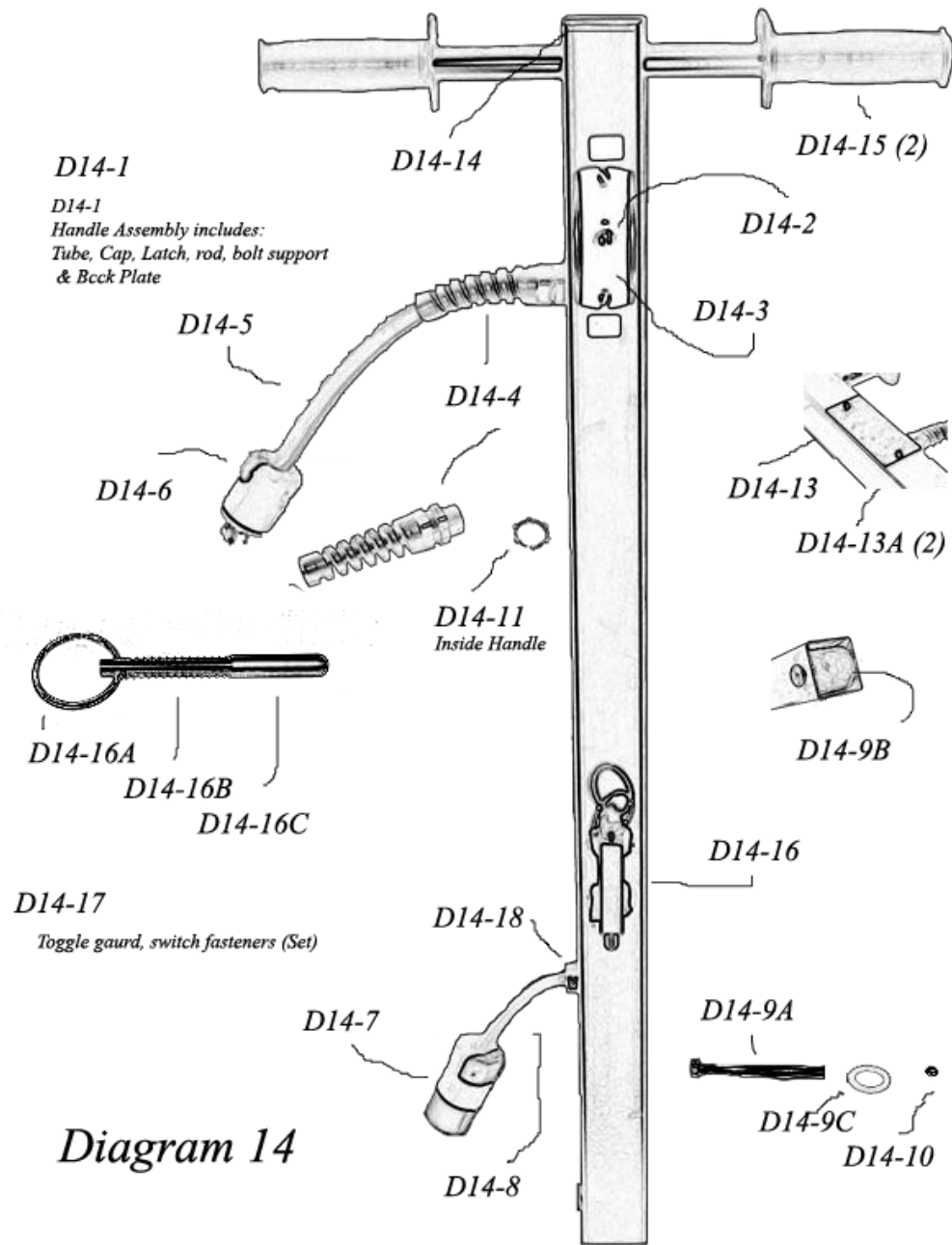


Diagram	#	QTY	Item	Description	List Price		Diagram
D14	D14-1	1	R1	R1-Handle(Tube,Cap,Rod,Latch,R9B, R9C,R15)	\$ 185.50		D14
D14	D14-10	1	R10	R10-Handle Nut (1/4-28 Stop Nut)	\$ 1.37		D14
D14	D14-11	1	R11	R11-Strainer Reliever Nut (Inside Handle)	\$ 0.53		D14
		1	R12	R12-Strain Reliever Washer (Inside Handle)	\$ 0.53		
D14	D14-13	1	R13	R13-Back Plate	\$ 8.56		D14
<i>D14</i>	<i>D14-R13A-S</i>	<i>1</i>	<i>R13A-S</i>	<i>R13A-S (Set of Screws for Back Plate)</i>	<i>\$ 1.05</i>		<i>D14</i>
D14	D14-14	1	R14	R14-Handle Cover	\$ 7.79		D14
D14	D14-15	2	R15	R15-Handle Grip	\$ 6.91		D14
D14		1	<i>R15-S</i>	<i>R15-S (Set of 2)</i>	\$ 13.59		D14
R14	R14-16	1	R16	R16-Latch Assembly	\$ 31.50		R14
R14	R14-16A	1	R16A	R16A-Latch loop	\$ 3.50		R14
R14	R14-16B	1	R16B	R16B-Latch Spring	\$ 8.75		R14
R14	R14-16C	1	R16C	R16C Latch Bar	\$ 19.25		R14
D14	D14-17	1	R17	R17-Toggle Guard/Back Plate Fasteners (set)	\$ 1.99		D14
D14	D14-18	1	R18	R18-Cord Grommet	\$ 1.66		D14
D14	D14-2	1	R2	R2-Switch (SL1218R)	\$ 24.33		D14
		1	R2:R2(N)	R2 Hex Nut for R2 Switch	\$ 0.18		
D14	D14-3	1	R3	R3-Toggle Guard	\$ 19.25		D14
<i>D14</i>	<i>D14-3-S</i>	<i>1</i>	<i>R3-S</i>	<i>R3-S Toggle Guard Screws (Set of 2)</i>	<i>\$ 1.05</i>		<i>D14</i>
D14	D14-4	1	R4	R4-Strain Reliever	\$ 24.61		D14
D14	D14-5	1	R5	R5-Short Cord(upper)(14/3-600V 18')	\$ 4.38		D14
D14	D14-6	1	R6	R6-Twist Lok (male)	\$ 14.99		D14
D14	D14-7	1	R7	R7-Twist Lock (Female)	\$ 22.99		D14
D14	D14-8	1	R8	R8-Short Cord(Lower)(14/3-300V 24')	\$ 6.32		D14
D14	D14-9A	1	R9A	R9A Handle Bolt (1/4-28 x3 1/2)	\$ 3.33		D14
D14	D14-9B	1	R9B	R9B Bolt Support SL1218R fits 3/4" Hole	\$ 7.00		D14
D14	D14-9C	1	R9C	R9C Handle/Chassis Spacer (2)	\$ 2.80		D14

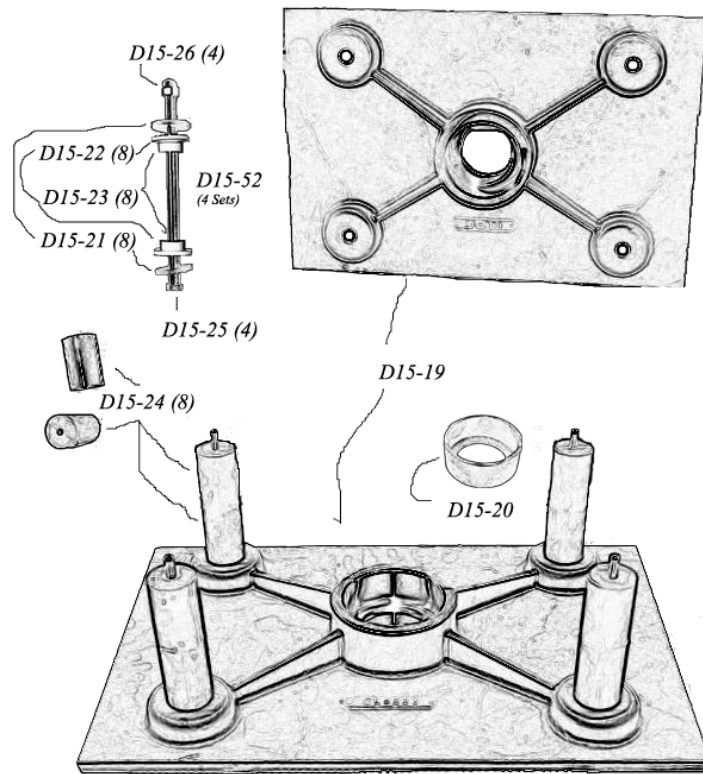


Diagram 15

Diagram	#	QTY	Item	Description	List Price	Diagram
D15	D15-19	1	R19	R19-Bottom Plate (SL001)	\$ 280.00	D15
D15	D15-20	1	R20	R20-Rubber Boot (RD0911)	\$ 50.75	D15
D15	D15-21	8	R21	R21-Tower Spacer (Metal)	\$ 2.98	D15
D15	D15-22	8	R22	R22-Tower Spacer (Rubber)	\$ 0.79	D15
D15	D15-23	8	R23	R23-Inner Tower Spacers (Rubber) (ITS)	\$ 0.61	D15
D15	D15-24	8	R24	R24-Tower Rubbers	\$ 5.78	D15
D15	D15-25	4	R25	R25-Tower Bolt(1/4-28x5-1/4 Hex Head Cap)	\$ 3.68	D15
D15	D15-26	4	R26	R26-Tower Bolt Acorn Nut	\$ 1.93	D15
D15	D15-52	1	R52	R52-Tower Rebuilt Kit(1set/Machine)	\$ 57.75	D15

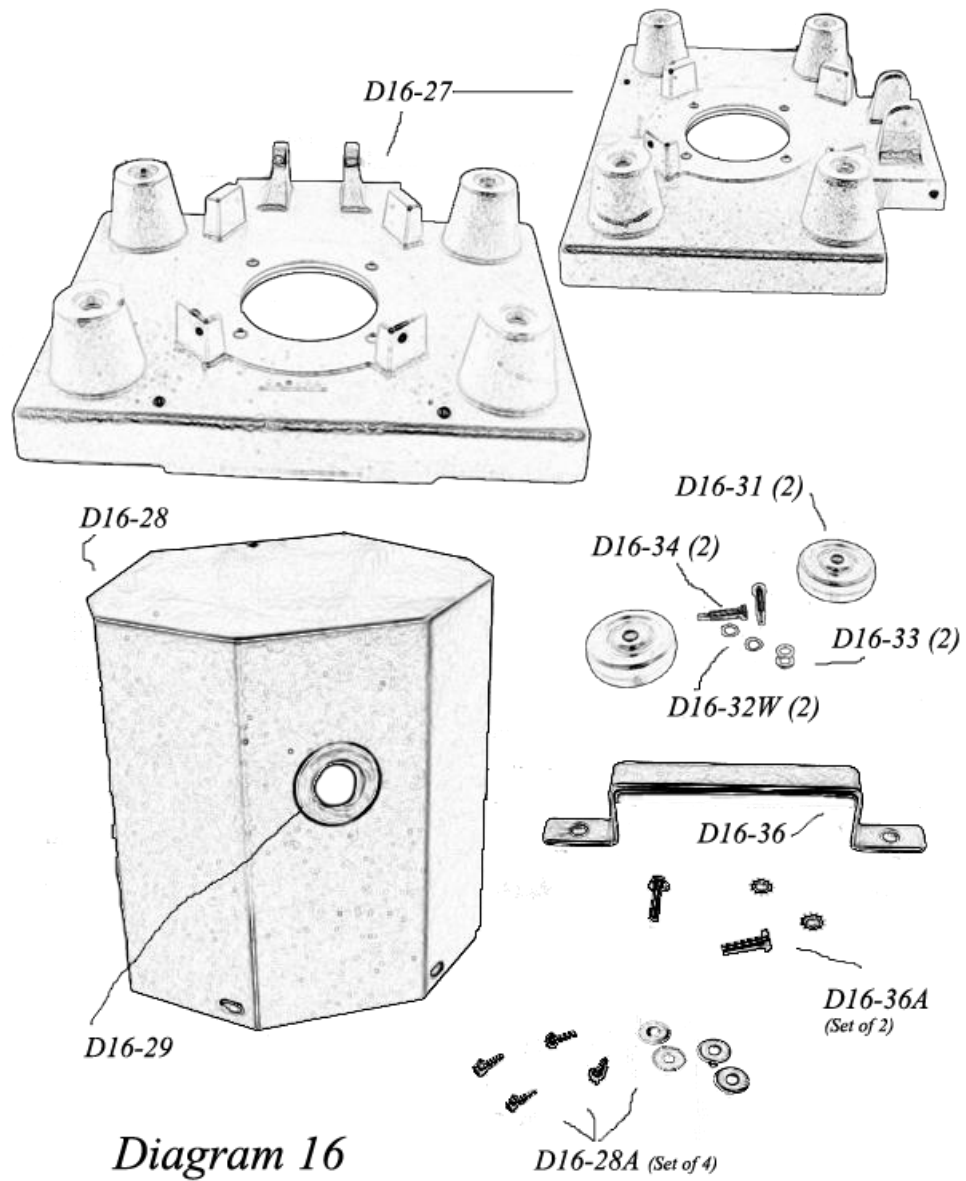


Diagram 16

Diagram	#	QTY	Item	Description	List Price		Diagram
D16	D16-27	1	R27	R27-Machine Base/Chassis	\$ 665.00		D16
D16	D16-28	1	R28	R28-Motor Shroud	\$ 169.75		D16
D16	D16-28A	1	R28A	R28A-Motor Shroud Fasteners(4/set)	\$ 10.50		D16
D16	D16-29	1	R29	R29-Shroud Grommet	\$ 2.45		D16
D16	D16-31	2	R31	R31-Wheel	\$ 15.75		D16
<i>D16</i>	<i>D16-31S</i>	<i>1</i>	<i>R31-S</i>	<i>R31-S Wheel (Set of 2)</i>	<i>\$ 29.99</i>		<i>D16</i>
D16	D16-32W	2	R32W	R32W-Wavey Washer	\$ 3.68		D16
<i>D16</i>	<i>D16-32W-S</i>	<i>1</i>	<i>R32W-S</i>	<i>R32W-S Wavey Washer (Set of 2)</i>	<i>\$ 7.25</i>		<i>D16</i>
D16	D16-33	2	R33	R33-Wheel Washer (1/2 SAE Flat)	\$ 0.60		D16
<i>D16</i>	<i>D16-33-S</i>	<i>1</i>	<i>R33-S</i>	<i>R33-S Wheel Washer (1/2 SAE Flat) (Set of 2)</i>	<i>\$ 1.05</i>		<i>D16</i>
D16	D16-34	2	R34	R34-Wheel Bolt	\$ 3.68		D16
<i>D16</i>	<i>D16-24S</i>	<i>1</i>	<i>R34-S</i>	<i>R34-S Wheel Bolt (Set of 2)</i>	<i>\$ 6.99</i>		<i>D16</i>
D16	D16-36	1	R36	R36-Lift Handle	\$ 21.00		D16
D16	D16-36A	1	R36A	R36A-Lift Handle Fasteners(2washer,2bolts/set)	\$ 2.80		D16

Diagram	#	QTY	Item	Description	List Price		Diagram
D17	D17-20	1	R20	R20-Rubber Boot (RD0911)	\$ 50.75		D17
D17	D17-37	1	R37	R37-Flywheel(1750)Slow Speed	\$ 168.00		D17
D17	D17-37A	1	R37A	R37A-Flywheel Set Screw	\$ 0.53		D17
D17	D17-38	1	R38	R38-Motor 1Hp (Baldor)	\$ 630.00		D17
D17	D-17-39	1	R39	R39-Motor Reset Thermal Overload Switch(RED) -Protector	\$ 42.00		D17
D17	D17-40	1	R40	R40-Motor Shaft Key	\$ 0.53		D17
D17	D17-42	1	R42	R42-Motor Bell (Fan Cover)	\$ 50.75		D17
D17	D17-44	1	R44	R44-Capacitor Box	\$ 17.50		D17
D17	D17-45	4	R45	R45-Motor Bolts (4/Set)	\$ 2.10		D17
D17	D17-46	2	R46	R46-Flywheel Bearing (6009LL)	\$ 28.00		D17
<i>D17</i>	<i>D17-46S</i>	<i>1</i>	<i>R46-S</i>	<i>R46-S Flyweel Bearings (Set of 2)</i>	<i>\$ 54.99</i>		<i>D17</i>
D17	D17-47	1	R47	R47-Motor Cord	\$ 4.38		D17
D17	D17-48	1	R48	R48-Right Angle Wire Holder	\$ 5.29		D17
D17	D17-49	1	R49	R49-Carpet (12 x 18 w/5 Holes)	\$ 35.00		D17
D17	D17-6	1	R6	R6-Twist Lok (male)	\$ 14.99		D17

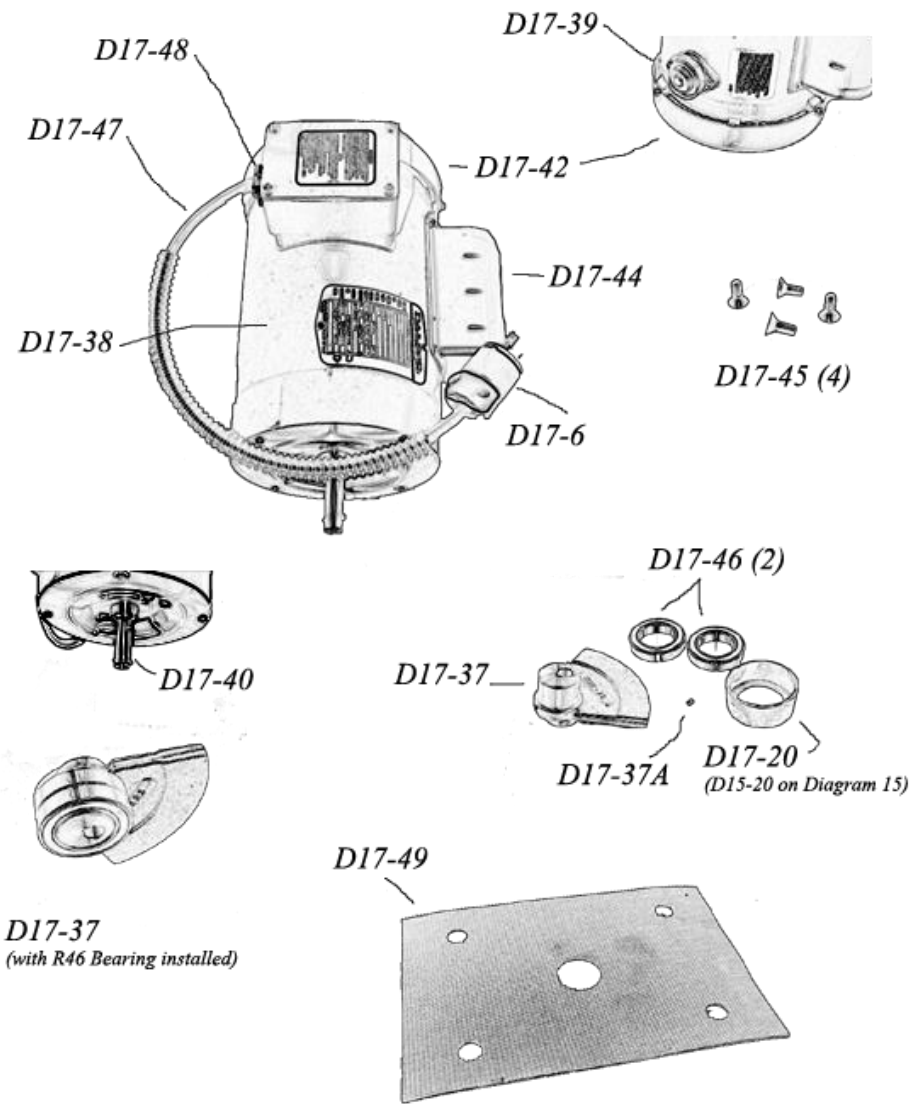


Diagram 17

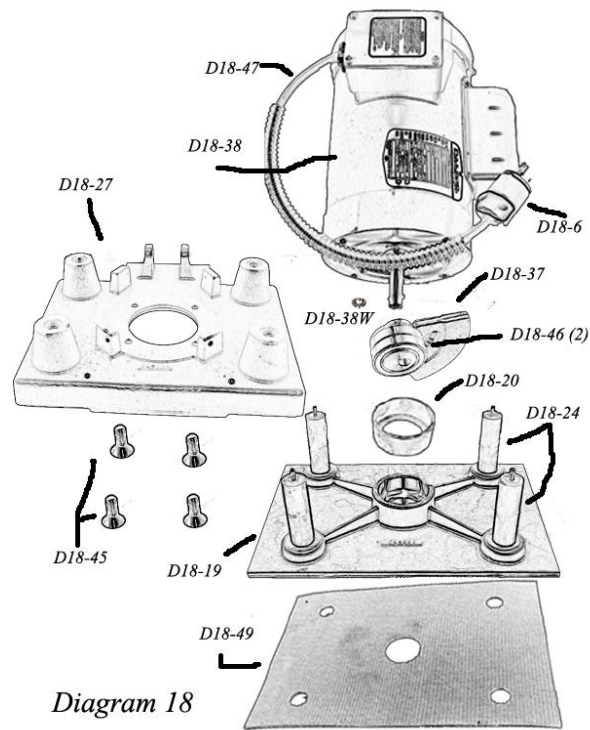


Diagram	#	QTY	Item	Description	List Price		Diagram
D18	D18-19	1	R19	R19-Bottom Plate (SL001)	\$ 280.00		D18
D18	D18-20	1	R20	R20-Rubber Boot (RD0911)	\$ 50.75		D18
D18	D18-24	8	R24	R24-Tower Rubbers	\$ 5.78		D18
D18	D18-27	1	R27	R27-Machine Base/Chassis	\$ 665.00		D18
D18	D18-37	1	R37	R37-Flywheel(1750)Slow Speed	\$ 168.00		D18
D18	D18-38	1	R38	R38-Motor 1Hp (Baldor)	\$ 630.00		D18
D18	D18-38W	1	R38W	R38W Washer	\$ 4.55		D18
D18	D18-45	1	R45	R45-Motor Bolts (4/set)	\$ 2.10		D18
D18	D17846S	1	R46-S	R46-S Flyweel Bearings (Set of 2)	\$ 54.99		D18
D18	D18-47	1	R47	R47-Motor Cord	\$ 4.38		D18
D18	D18-49	1	R49	R49-Carpet (12 x 18 w/5 Holes)	\$ 35.00		D18
D18	D18-6	1	R6	R6-Twist Lok (male)	\$ 14.99		D18

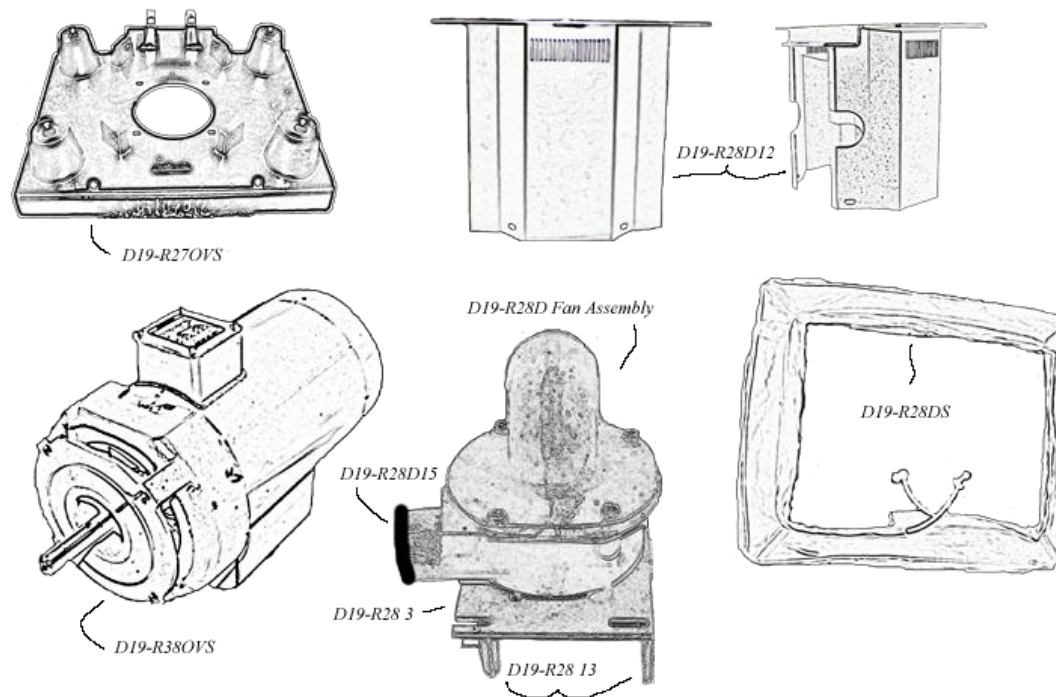


Diagram 19

Diagram	#	QTY	Item	Description	List Price		Diagram
D19	D19-R27OVS	1	R27OVS	R27OVS Chassis for SL1218OVS	\$ 544.99		D19
D19	D19-R28D12	1	R28D12	R28D12 Combo Motor Cover/Plate/Bracket	\$ 364.00		D19
D19	D19-R28 13	1	R28D13	R28D13 Risers (Set of 4) for Fan Assembly	\$ 39.99		D19
D19	D19-R28 15	1	R28D15	R28D15 Fan Housing Grommet	\$ 21.99		D19
D19	D19-R28 3	1	R28D3	R28D3 Fan Plate OVS	\$ 91.89		D19
D19	D19-R28DS	1	R28DS	R28DS Dustless Skirt	\$ 299.99		D19
D19	D19-R38OVS	1	R38OVS	R38OVS 1.5HP Motor 725RPM-SL1218OVS	\$ 899.00		D19

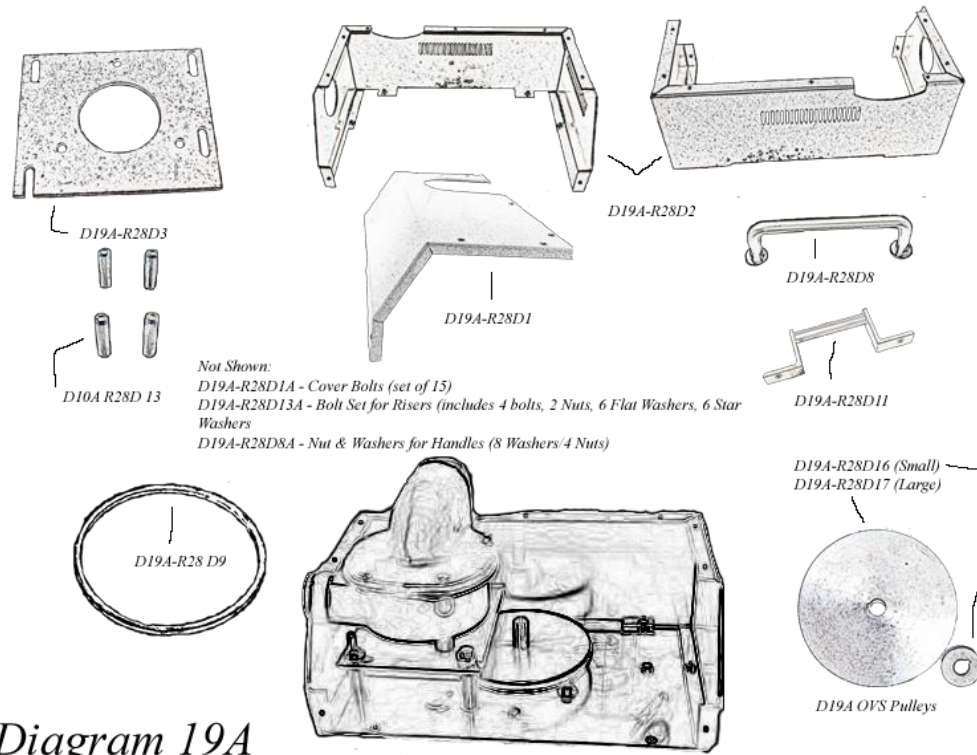


Diagram 19A

Diagram	#	QTY	Item	Description	List Price	Diagram
D19A	D19A-R28D1	1	R28D1	R28D1 Fan Cover OVS	\$ 94.50	D19A
D19A	D19A-R28D1A	1	R28D1	R28D1A Cover Bolt (Set of 15)	\$ 21.99	D19A
D19A	D19A-R28D11	1	R28D11	R28D11 Al Front Lift Handle OVS	\$ 56.00	D19A
D19A	D19A-R2813	1	R28D13	R28D13 Risers (Set of 4) for Fan Assembly	\$ 39.99	D19A
D19A	D19A-R2813A	1	R28D13A	R28D13A Bolt Set for R28D13 Risers (Set of 4)	\$ 13.99	D19A
D19A	D19A-R28D16	1	R28D16	R28D16 - Small Pulley SL1218OVS Fan Assembly	\$ 62.99	D19A
D19A	D19A-R28D17	1	R28D17	R28D17 - Large Pulley SL1218OVS 6"	\$ 92.99	D19A
D19A	D19A-R28D2	1	R28D2	R28D2 Fan Housing OVS	\$ 140.00	D19A
D19A	D19A-R28 3	1	R28D3	R28D3 Fan Plate OVS	\$ 61.16	D19A
D19A	D19A-R28D8	2	R28D8	R28D8 Side Lift Handle OVS	\$ 31.99	D19A
D19A	D19A-R28D8A	2	R28D8A	R28D8A Nut & Washer Set for R28D8	\$ 5.69	D19A
D19A	D19A-R28 D9	1	R28D9	R28D9 Fan Belt OVS	\$ 21.99	D19A

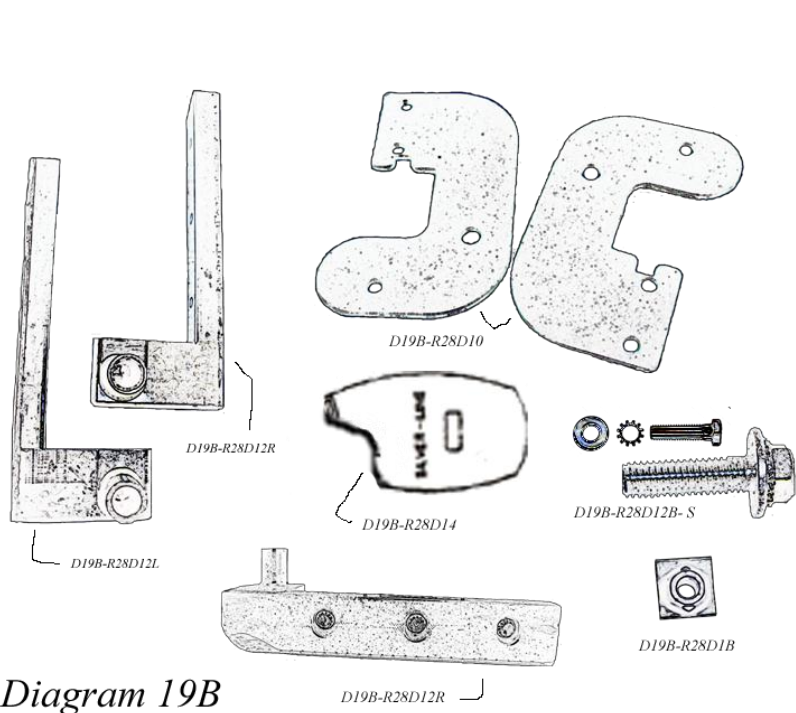


Diagram 19B

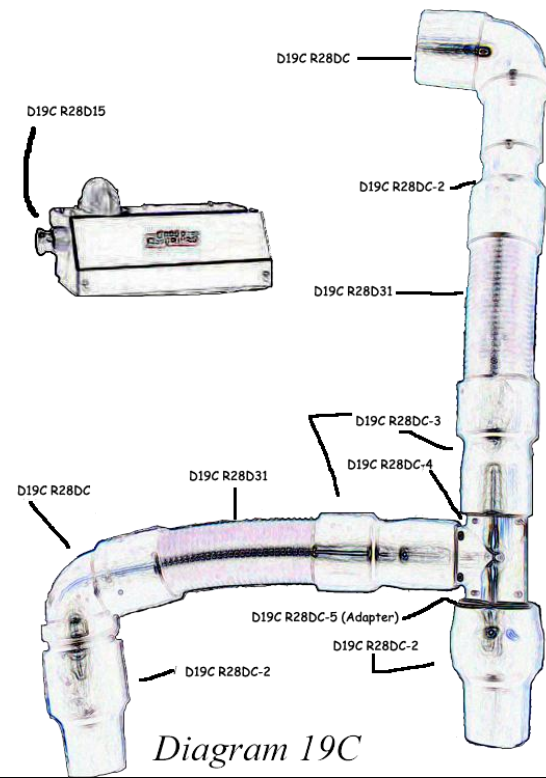


Diagram 19C

Diagram	#	QTY	Item	Description	List Price		Diagram
D19B	D19B-R28D1B	13	R28B1B	R28D1B - Clip for OVS Cover	\$ 2.09		D19B
D19B	D19B-R28D1B-S	1	R28B1B-S	R28D1B - Set of Clips for OVS Cover (13)	\$ 21.99		D19B
D19B	D19B-R28D10	2	R28D10	R28D10 Bracket Vacuum Wheel OVS	\$ 42.00		D19B
D19B	D19B-R28D12B-S	2	R28D12B-S	R28D12B-S (Set of Bolt & Washers for D12L or D12R)	\$ 7.29		D19B
D19B	D19B-R28D12L	1	R28D12L	R28D12L 1218OVS Polyurethane Dust Collector (Left)	\$ 166.25		D19B
D19B	D19B-R28D12R	1	R28D12R	R28D12R 1218OVS Polyurethane Dust Collector (Right)	\$ 166.25		D19B
D19B	D19B-R28D14	1	R28D14	R28D14 Dust Bag	\$ 25.99		D19B
D19C	D19C-R2815	1	R28D15	R28D15 Fan Housing Grommet	\$ 21.99		D19C
D19C	D19C-R28D31	2	R28D31	R28D31 - 7" Vac Hose 1-1/2" Dia	\$ 14.99		D19C
D19C	D19C-R28DC	2	R28DC	R28DC Cuff for SL1218OVS @ Vac	\$ 21.99		D19C
D19C	D19C-R28DC2	3	R28DC2	R28DC2 Straight Hose Cuff for OVS Hose System	\$ 20.99		D19C
D19C	D19C-R28DC3	2	R28DC3	R28DC3 90 Degree Hose Cuff for OVS Hose System	\$ 21.99		D19C
D19C	D19C-R28DC4	1	R28DC4	R28DC4 "T" Connector for OVS Hose System	\$ 19.99		D19C
D19C	D19C-R28DC5	1	R28DC5	R28DC5 Adapter for OVS Hose System	\$ 19.99		D19C

Essex Silver-Line Corporation
1118 Lakeview Ave
PO Box 40
Dracut, MA 01826
Phone (978) 957-2116, Fax (978) 957-6989, Toll Free 800 451-5560
Visit us on the World Wide Web at:
www.essex-silver-line.com

**Essex Silver-Line Corporation
Limited One Year Warranty**

Essex Silver-Line Corporation warrants the floor sanding equipment for a period of one year from the date of original purchase. We will repair or replace at our option, any part or parts of the products under this warranty which examination proves to be defective in workmanship or materials during the warranty period. For repair, return machine or parts to Essex Silver-Line Corporation transportation prepaid. This warranty does not apply to repair or replacement required due to misuse, abuse, normal wear and tear and/or repairs attempted or made by other than our service center. For the purpose of this warranty, damage resulting from accident, use of defective or inadequate wiring at the installation in which used, improper cleaning or operation, fire, floods or act of God, are not covered. No other warranty implied or expressed is offered and under no circumstances shall Essex Silver-Line Corporation be liable for an incidental or consequential damage.